

RENOVATION OF
FOLDING POWER CHAIR

FR TravelRider



Perfectionism

Being the pioneer of **folding mobility equipment**, FreeRider has been innovating powerful and beautiful mobility equipment to the riders.

Not only adopt the advantages of Luggie scooters also integrate the patented **DMS tech** to improve the traditional power chair main problem in order to deliver superior **traction control management**.





Armrest

Armrest height and width are adjustable for your comfortable position.

Battery

Battery can be adopted by all Luggie lithium-ion freely. Options can be 8.5ah, 10.5ah and 16.5ah. Warranty are all covered 12 months.

Caster

Casters are removable by quick release designing. Will help you to put into trunk easily.

Features

THINK AHEAD FOR YOU



P
E
R
F
E
C
T
I
O
N

1

ONE

A pair of front anti-tip designing for power chair to deliver more safety and well-equipped with seat belt.

2

TWO

Two seat height position to be adjusted

3

THREE

Without any complicated steps and tools can be fold and expand in 3 second ready to go.



UN 38.3

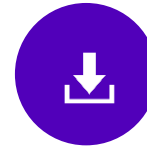
An International testing criteria for lithium battery or equipment containing lithium battery should undergo all testing criteria.



Our lithium-ion battery and TravelRider itself are certified the UN 38.3 criteria. Battery weight is 4.5lbs.

Customers can be carry the light weight battery to airline. It is **TSA approved.**





Medical Devices

TravelRider is certified all the power wheelchair requirement, so it comes with K number based on FDA regulation. We submitted it as **Medical Devices** to ensure you using is safety and provide product liability insurance.



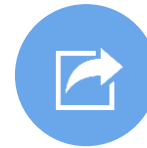
Efficacy

Adopted aircraft aluminium class as chassis and with zero-welding technique to make the strongest chassis than other power chair suppliers. It is **smallest footprint and biggest weight capacity** folding power chairs in the world.



DMS System

The patented and coaxial DMS system solve the traditional main problems. It's capable to delivers superior **traction control management** than others.



Upgradable

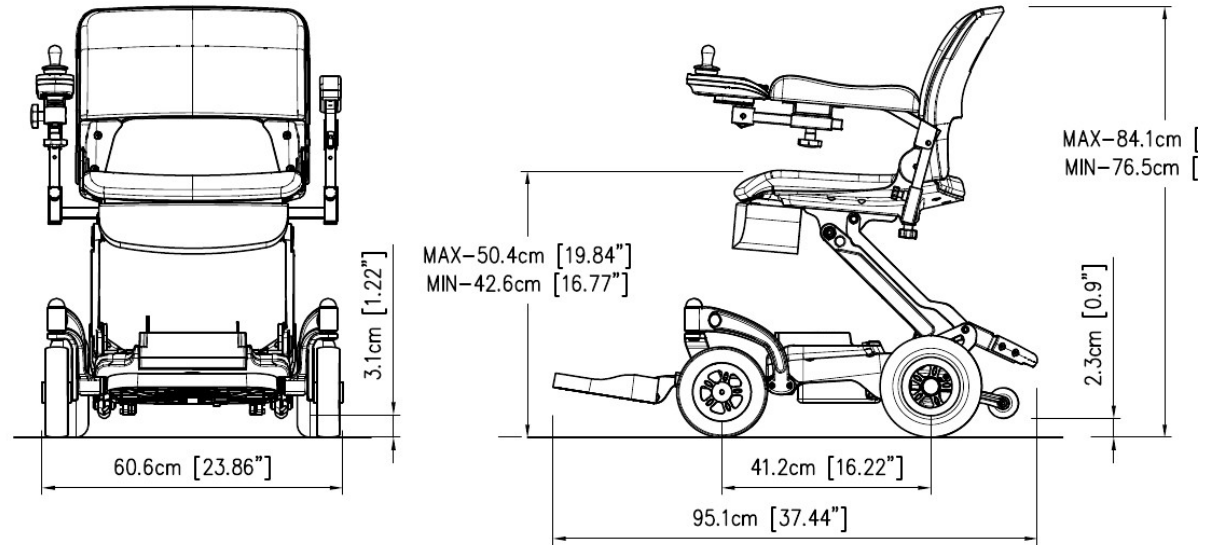
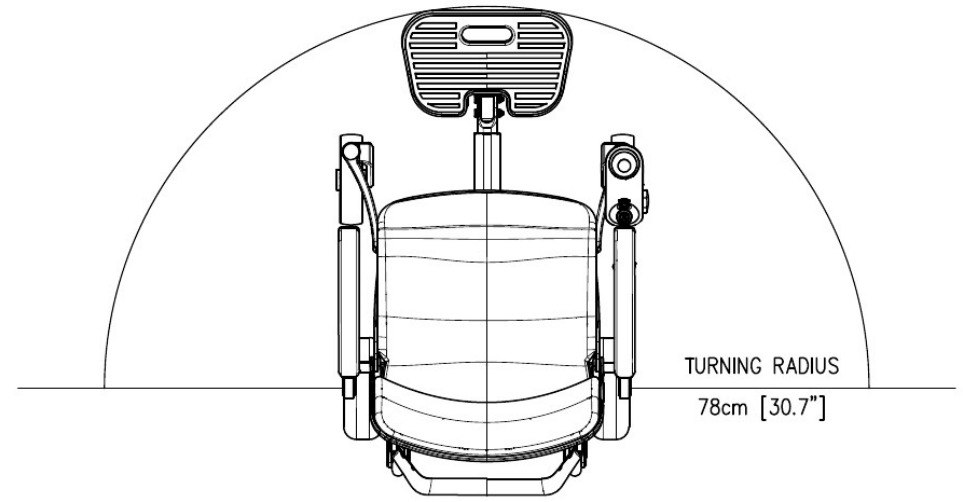
We have different lithium-ion **battery options** to the meet your different requirements: 8.5ah, 10.5ah, and 16.5ah. You can choose bigger capacity if you need to have long journey.



Warranty

Lithium-ion battery is the most common as a portable power supply. However, we are the only one to provide **12 months warranty** instead of 6 months warranty from others.

Top Speed	3.6mph
Weight Cap	320lbs
Turning Radius	30"
Range	up to 8 mile/15 mile (10.5ah/16.ah)
Fully Charging	90 min/180 min
Overall Length	37"
Overall Width	23"
Caster	7" solid PU
Rear Wheel	8" solid PU
Ground Clearance	2.36 (at motor)
Seat	18*16"
Total Weight	70lbs
Seat height adjustable	33" & 30"





2018

JOIN US

FREERIDER USA
8696 Utica Ave Rancho Cucamonga, CA 91730
Email: sales@freeriderusa.com
TEL: 909-466-7996
FAX: 909-466-7990